

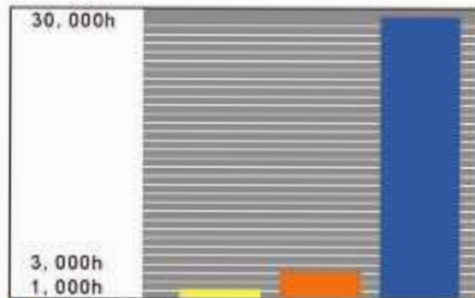
OPTIMIZED AIR FLOW DESIGN FOR BETTER HYGIENE

With its open design and superior ventilated ceiling tolerance, BD - 301 ensures that perfect operating conditions are created and hygienic requirements are fulfilled. The airflow surface under the ventilated ceiling is minimized and the reduced heat generation ensures a low turbulence displacement stream under the light head.



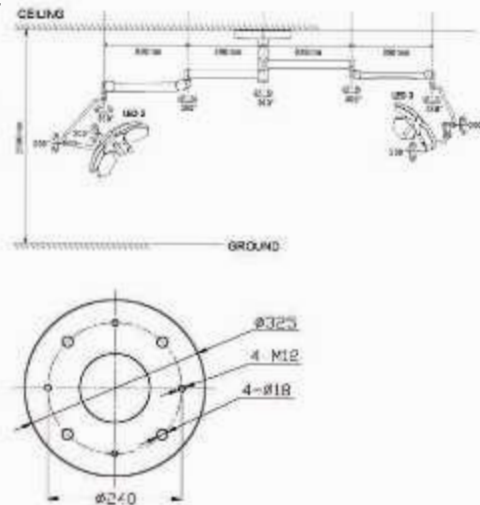
LONG LIFE LIGHTING

LEO light source life of up to 30,000 hours or more, with an average life of an ordinary light shadowless lamp halogen 30 times, and each LED can be individually replaced, to ensure maximum use of economy.



■ Halogen bulb
■ Gas light bulb
■ High-performance LED light source

INSTALLATION DIAGRAM



The attentions to install fixed plate:
 The ceiling must be able to load 500kg weight.
 If the height of ceiling is more than 3.2m, you must fix a extension frame. (You may order from our factory.)
 User's ground wire should reliably connect with product's ground terminal(yellow green line).
 The ceiling mounted shadowless operating lamp is belong to heavy pensile product, its safe service period is 10 years.
 If the product has any change, subject to change without prior notice.
 (Apply to various kind of ceiling mounted operating lamp.)



ADJUST COLOR TEMPERATURE

3500K 4000K 4500K 5000K

SHADOWLESS OPERATING LAMP

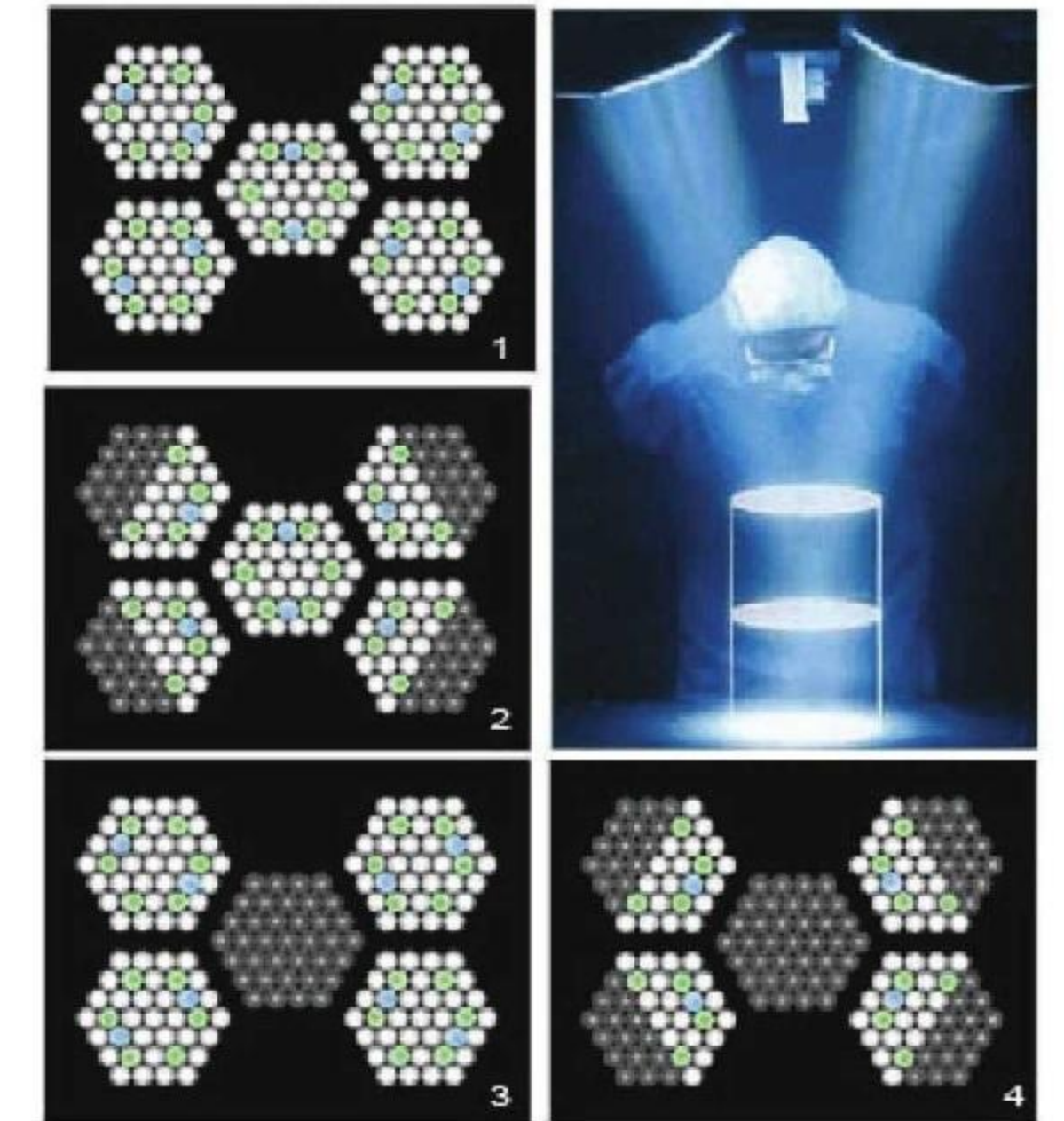
BD - 301 LED 3 + 5



UNMATCHED SHADOW MANAGEMENT OPTIMIZES CONCENTRATION AND SURGICAL TEAM EFFICIENCY

Princemed has harnessed the far-reaching potential of the multi-lens matrix to virtually eliminate shadows. The BD - 301 series's overlapping fields of light and multiple patterns - selectable based on the surgical situation - minimize shadows and redirect the full selected intensity to the surgical site.

The result is up to 20% more light in deep cavity situations.



STERILE CONTROL OPERATIONS

- One of the innovative characteristics of BD-301 series: the sterile control concept enables the surgical team to operate all important functions intuitively, quickly and simply.
- On and off-switch
- Shadow management



• **Precise**
Uniform, homogeneous lighting in surface and deep cavity procedures thanks to BD - 301 LED innovative shadow control.

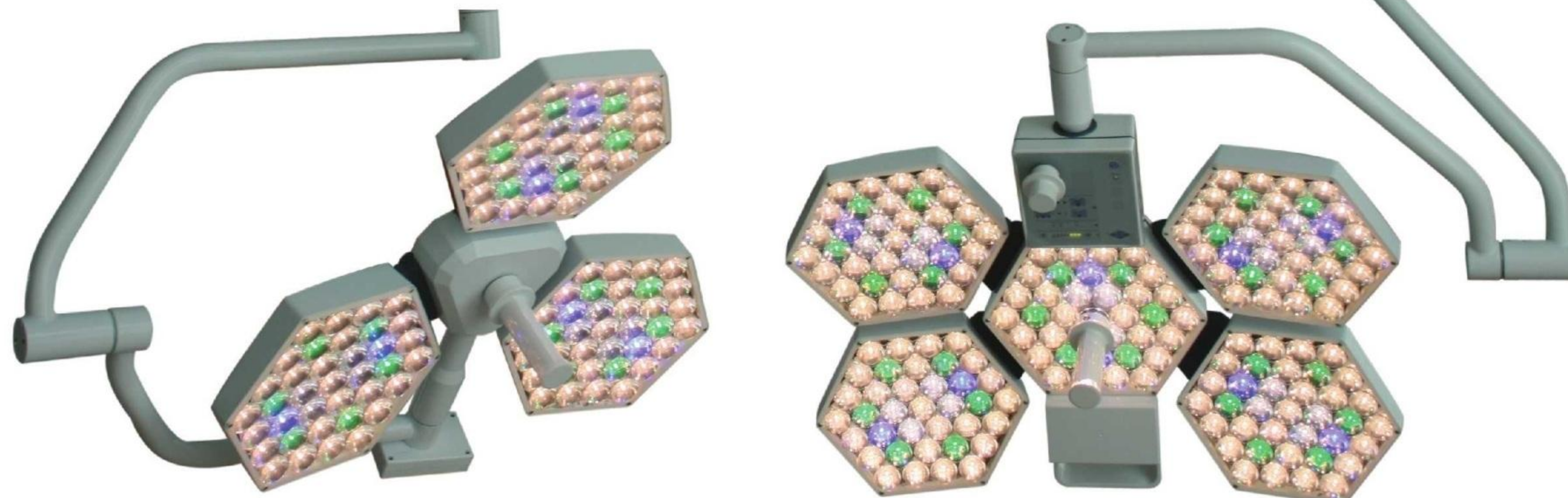
• **Simple**
Our ergonomic, sterile operating concept allows for the simple and flexible control of all functions by the surgical team.

• **Durable**
Almost unlimited LED life expectancy delivers tremendous product reliability and investment protection.

• **Efficient**
Environmentally proactive: low power consumption and durable LEDs minimize the impact on our precious resources.

BD - 301 SERIES LEADING-EDGE LIGHTING TECHNOLOGY

Thanks to their great performance and outstanding energy efficiency, the use of LEDs to illuminate demanding environments is becoming ever more common. Compared to conventional lamps, light emitting diodes have a whole range of technological, economic and ecological advantages: low heat generation, minimal power consumption and an almost unlimited life expectancy. BD - 301 combines these characteristics. The result: unparalleled performance.



Technical Data	BD - 301 LED
Illuminance(Lux)	≥100, 000/≥140, 000
Colour temperature(k)	3500 ± 200
	4000 ± 200
	4500 ± 200
	5000 ± 200
Colour reduction index(Ra)	96
Illuminance depth(mm)	1020/1150
Total irradiance(W/m²)	380/510
Size of light field(mm)	200-350
Lamp head diameter(mm)	700/800
Rated power of bulb	3. 2V/1W
Service life of illuminant	≥30, 000h
Power supply voltage	AC110-240V, 50/60Hz
Lowest height of installation(mm)	2900